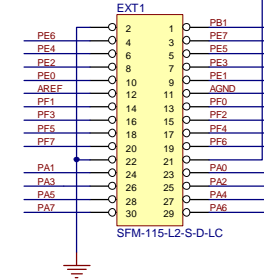
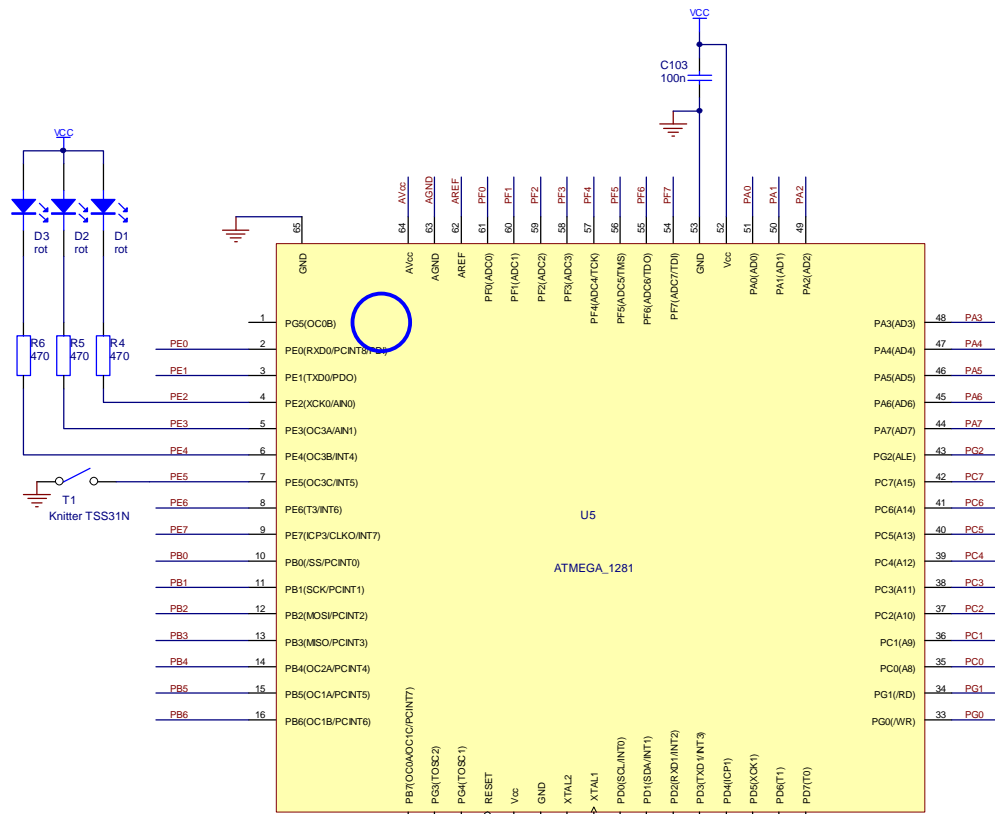
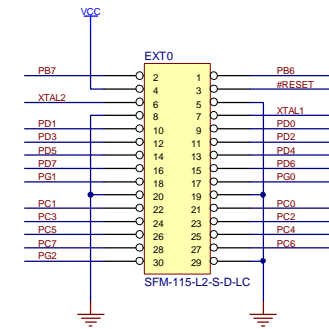


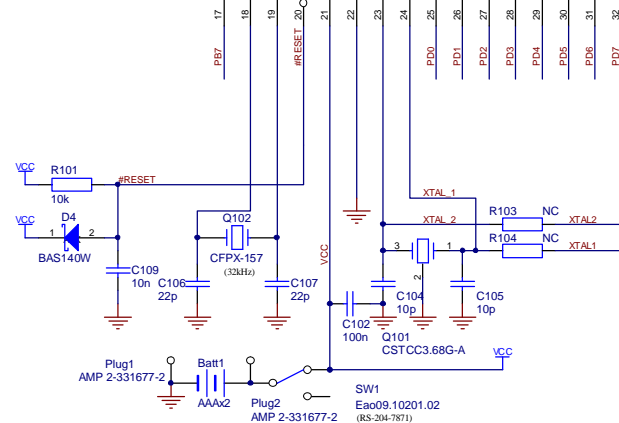
Transceiver  
RCB230SMA\_V3.3.1\_RF.sch



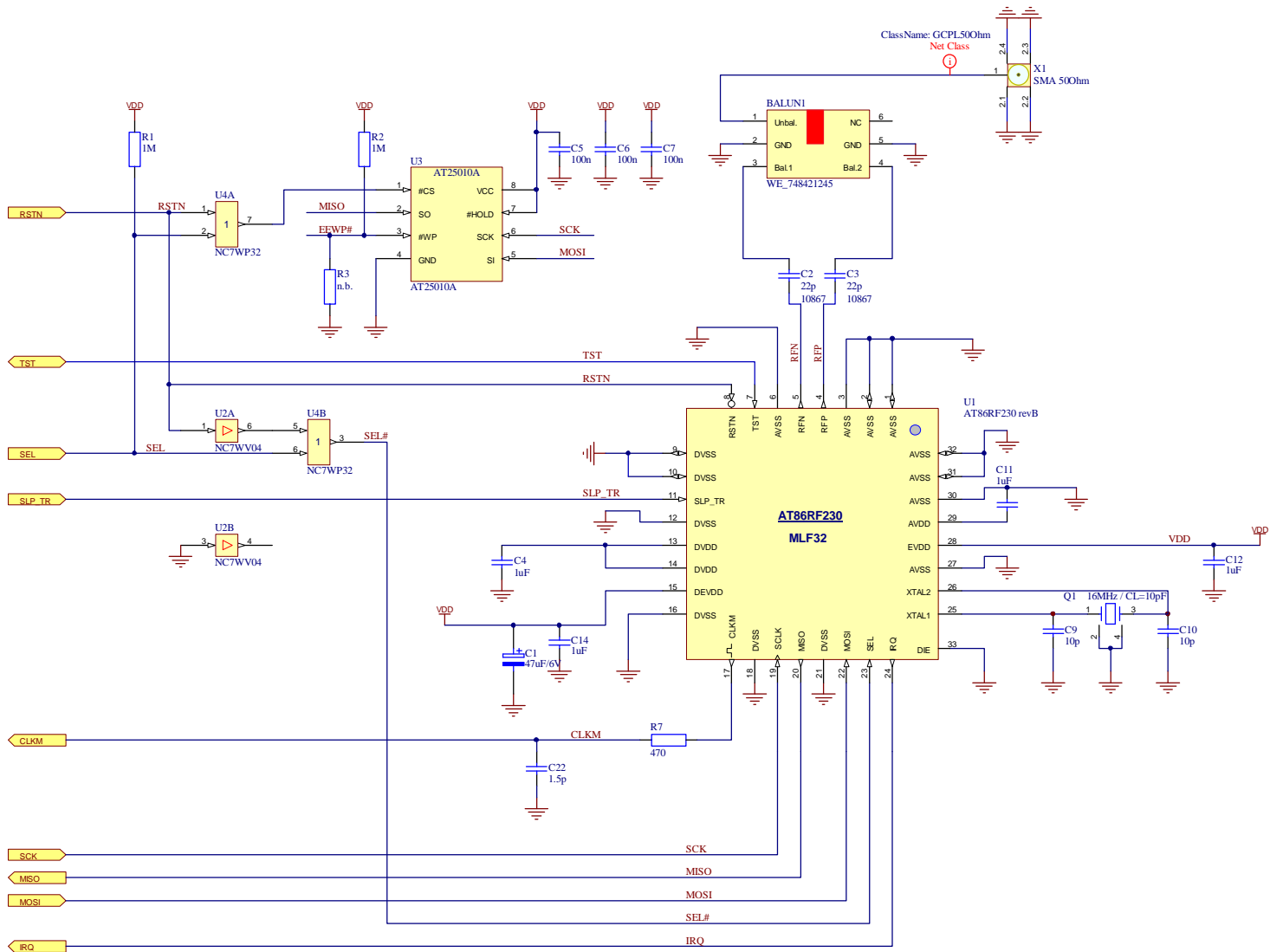
SFM-115-L2-S-D-LC



SFM-115-L2-S-D-LC



		dresden elektronik ingenieurtechnik gmbh D-01277 Dresden, Glaserwaldstrasse 22	
		Title <b>RCB230SMA V3.3.1</b>	
		Size A3	
		Document Number de: 5 449 15 00.100.002	
		Document File Name RCB230SMA_V3.3.1_uC.sch	
		Date: 09.05.2008 Time: 11:11:01 R. Lepelt	
		Sheet 1 of 2 Rev. 02	



		<b>dresden elektronik ingenieurtechnik gmbh</b>	
		D-01277 Dresden, Glasewaldstrasse 22	
		Telefon 0351 / 31 85 00 Telefax 0351 / 31 85 010	
		<b>RCB230SMA V3.3.1</b>	
Size	A3	Document Number	de: S 449 15 00.100.02
Date	09.05.2008	Time	11:11:01
		Document File Name	RCB230SMA_V3.3.1_RF.sch
		Author	R. Lippert
		Sheet	2 of 2
		Rev.	02