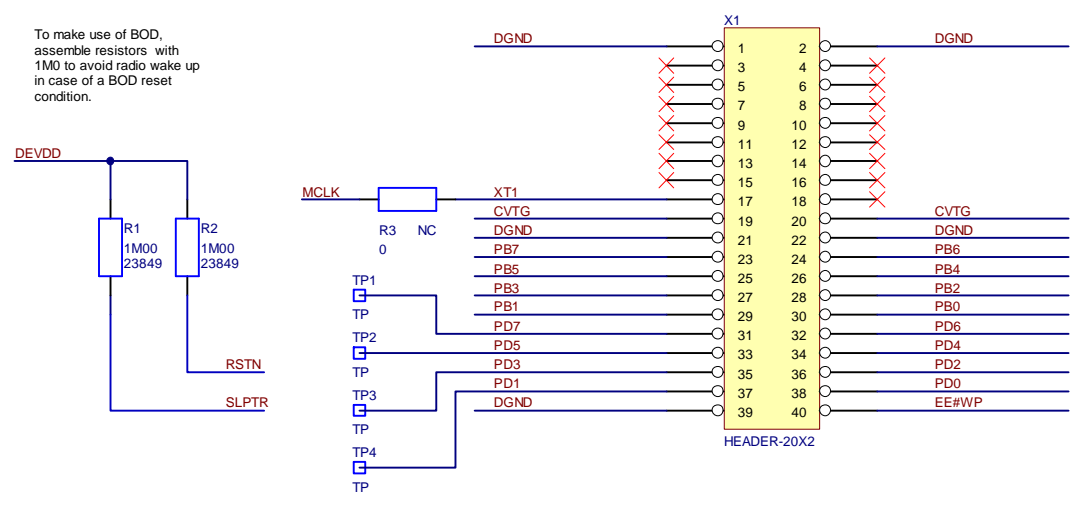
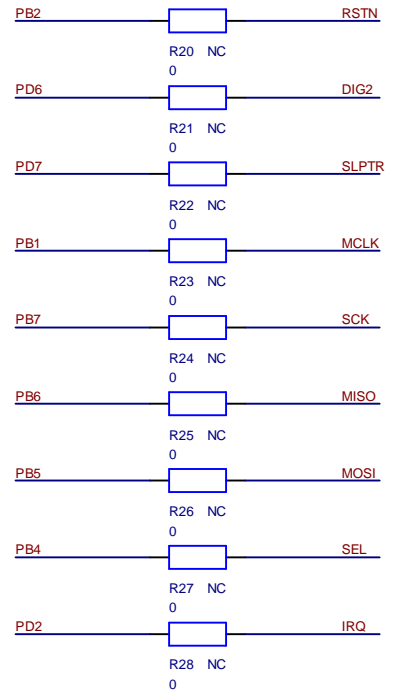


To make use of BOD, assemble resistors with 1M0 to avoid radio wake up in case of a BOD reset condition.

STK501 - EXPAND1



ATmega644 config



ATmega1281 config

